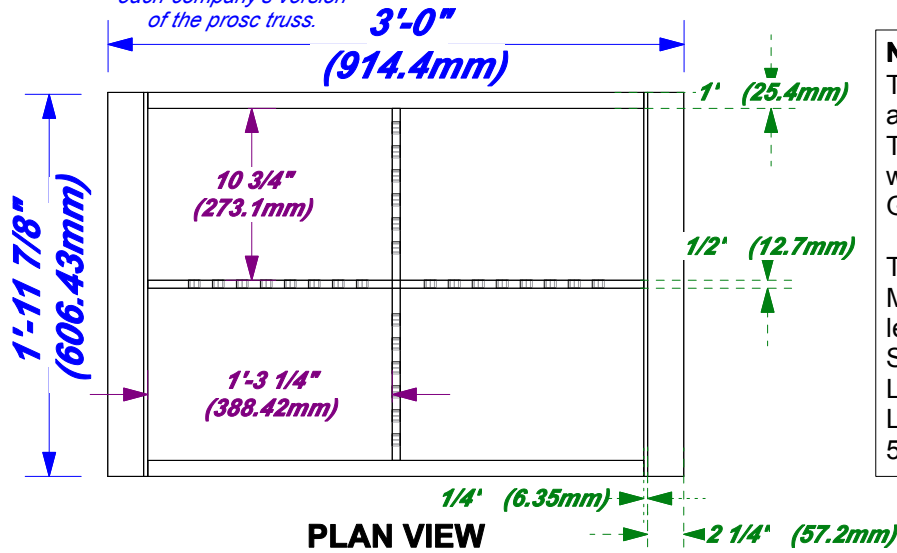


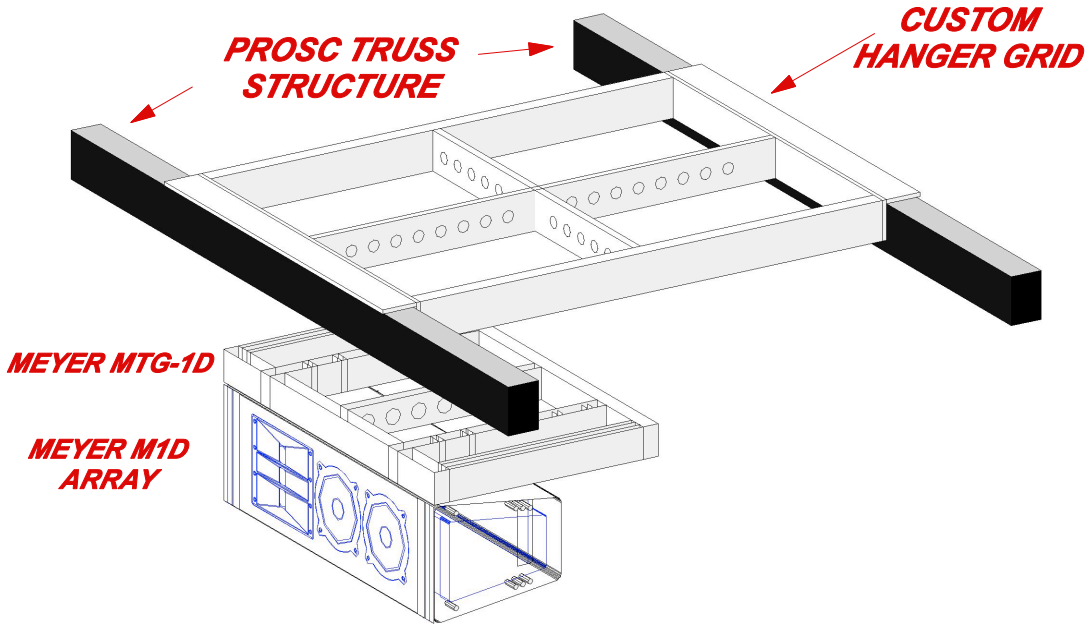
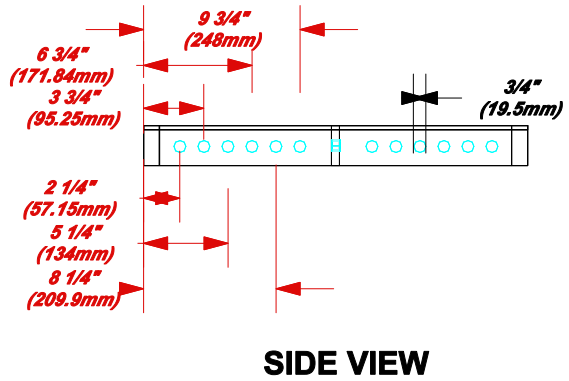
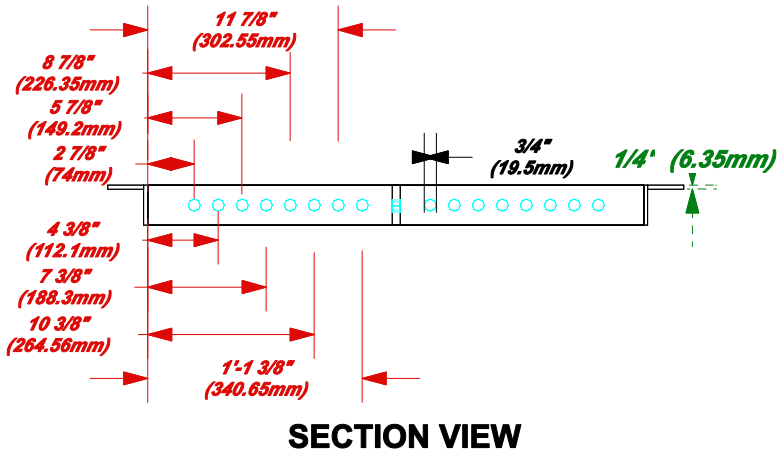
M1D HANGERS

Note that this dimension changes based on size of each company's version of the prosc truss.



NOTES:
 The M1D Hanger Grid is a steel frame that sits atop the existing Proscenium Truss structure. Two cross-support beams contain holes from which the standard Meyer MTG-1D Rigging Grid can be hung.

The distance between Hanger Grid holes and MTG-1D Rigging Grid holes is determined by length of aircraft cable supports:
 Shiz Company: 9" from sleeve to sleeve.
 London: 12" from sleeve to sleeve.
 LA: 10" and 12", perhaps. 3/8" ROPE.
 5/8" SHACKLES



<h2 style="margin: 0;">WICKED</h2>	WORLDWIDE Sound: Tony Meola © 2006 Director: Joe Mantello Drawn: KH Datum: 31. May, 2006
	<h3 style="margin: 0;">DWG: M1D HANGERS</h3>