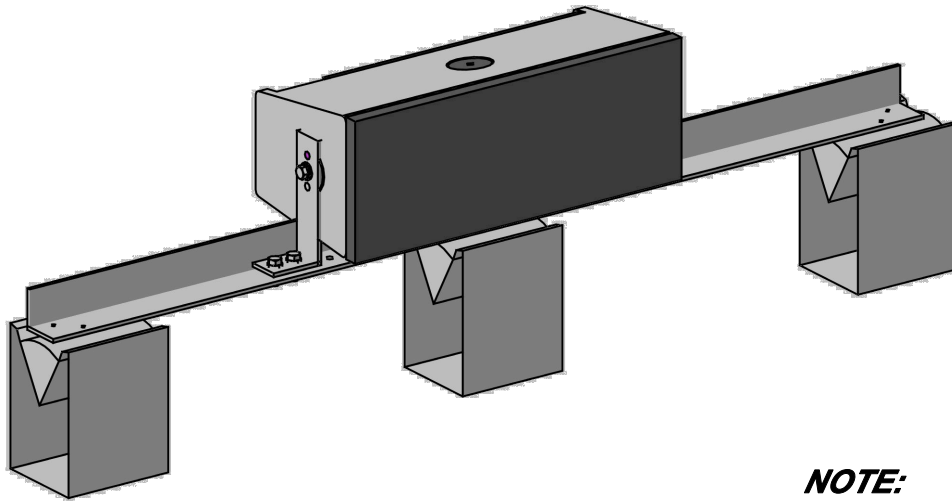


PANTAGES UPM BRACKETS

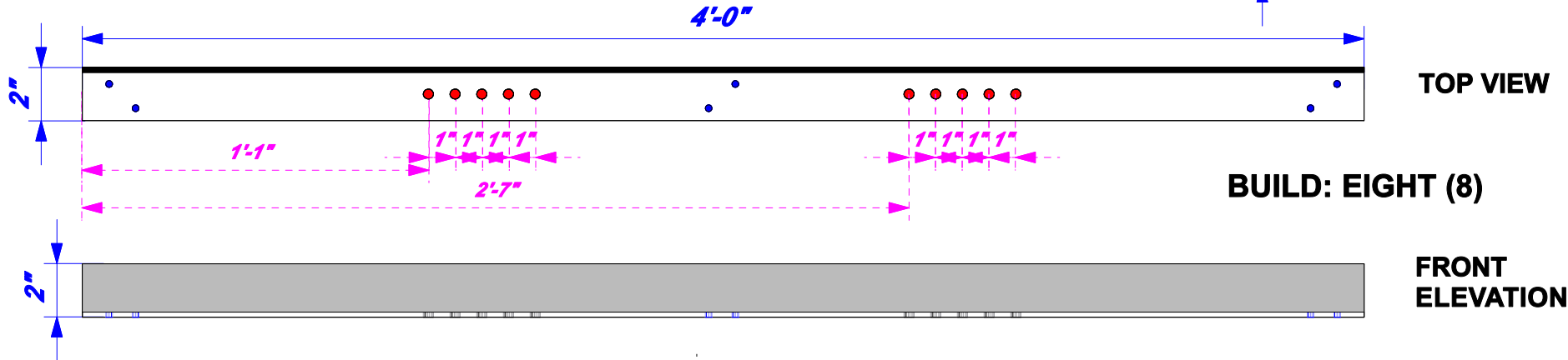
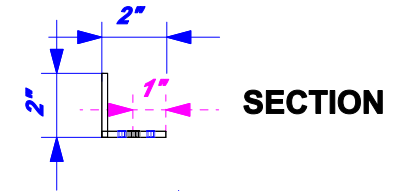
(PAGE 1 of 1)



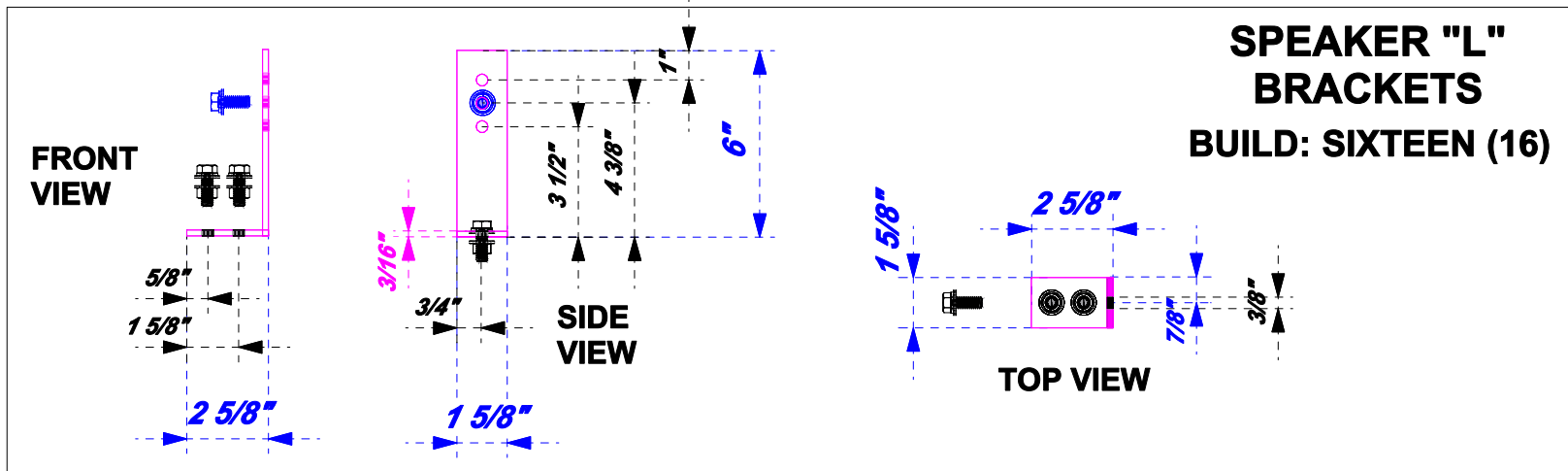
The Pantages UPM Brackets are comprised of two parts: a strip of angle iron, four feet in length, that spans three architectural blobs. The angle iron can be screwed into each blob to provide additional support, and extra holes can be used to safety the strip into the lighting trough.

An additional "L"-bracket is used to bolt the loudspeaker to the strip of angle iron, while allowing for up/down adjustment of the speaker above the strip, and also for speaker up/down tilt.

NOTE:
Speaker mounting holes 3/8" (red); bracket security holes 1/4" (blue)



BUILD: EIGHT (8)



SPEAKER "L" BRACKETS
BUILD: SIXTEEN (16)