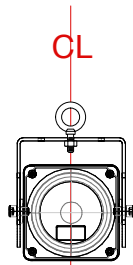


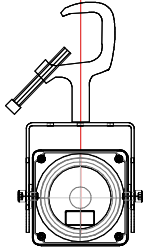
12x
 + 12x 1/4" D-Ring
 (have)



MM4

*6x Side Stalls
 6x Side Mezz*

2x

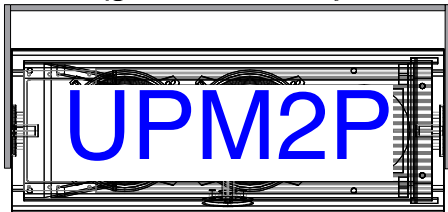


MM4

2x Side Stalls

5x

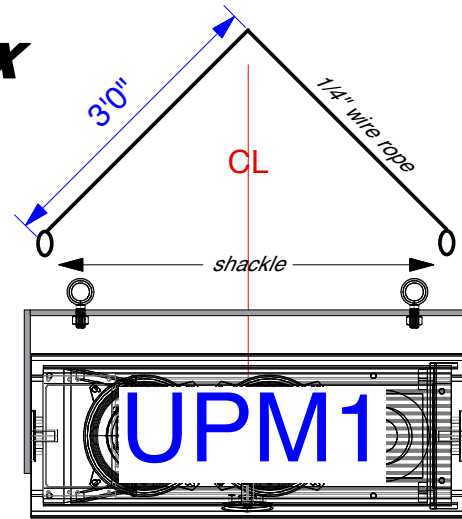
*bolted to wall
 (get bolts on site)*



UPM2P

5x Rear Stalls

5x



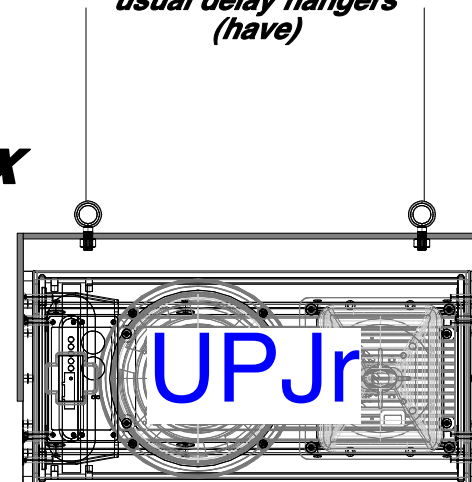
*5x Rear Balc
 Hung from steel over
 balcony ceiling.*

+ 5x 2' spansets

*3/8" x 1" rated eyebolt;
 washer; nut*

*usual delay hangers
 (have)*

9x



UPJr

*9x Stalls Delay
 (incl. 1x spare)*



WICKED	SAN FRANCISCO
	Sound: Tony Meola © 2008 Shop: PRG Audio Drawn: KH Date: 21. December, 2008
DWG: SPEAKER RIGGING	